

DPS2016 Dual Channel Programmable

Signal Monitor



The DPS2016 is Dual-Channel Programmable Signal Monitor is apply to monitor and protect the radial vibration, axial displacement and key phase/speed of the rotating mechanical spindle, which is powered by a redundant 24VDC power supply, it can be program in any configuration to measure shaft vibration, displacement, or rotational speed. DPS2016 series are fully interchangeable of asymptotic Eddy current probe with Bently Nevada 3300X1, Metrix 10000, 7200 series) it provide an excitation power supply, 4-20mA analog output signal and SPDT relay signal. Connect directly to PLC, DCS, which completely replaces the alternate brand. Multiple DPS2016 can be connected via a 485 communication interface to small system and communication with the control system. .

Product Feature

Converting approaching sensor into a transmitter signal connected to PLC and DCS

Provide Power Source

Redundant 24VDC power supply connection

Input/output full signal isolation, anti-interfere

Alternative any brand, Programmable

SPDT relays with isolation

35mm-DIN rail

DPS2016 Dual Channel Programmable**Signal Monitor****Technical Specification****Dual Input Power:** 15-30VDC, 60mA**Provide Probe Driver Power:** -24VDC**Input Signal:** Driver Output mV/mil Voltage signal**Buffer Output:** -200 mV/mil (8mm dia) or -100mv/mil (11mm dia)**Relay Contact:** 220VAC/24VDC@1A**Relay Alarm:** Combination**LED:** OK**Accuracy:** $\pm 2\%$, driver $\pm 5\%$ **Max Load Resistance (R_L):** 600 Ω **Range:** Order Guide CC/DD**Isolation:** 500V, circuit to case**Operation Temperature:** -40 $^{\circ}\text{C}$ - +80 $^{\circ}\text{C}$ **Mounting:** 35mmDIN-Rail**Order Guide****DPS2016A-BB/CC-DD/EE****A: Mounting**

N Din-Rail

S Flat Base

BB/CC: Position/Channel

01----- Radial Vibration

02----- Axial displacement

03----- Key phase/Speed

BB=First Chan, CC=Second Chan.

DD/EE: 4-20mA Full Scale Range**Radial Vibration**

10----0-100um pk-pk

12----0-125um pk-pk

15----0-150 μm , pk-pk20----0-200 μm , pk-pk25----0-250 μm , pk-pk

50----0-500um , pk-pk

Axial displacement01 0.5-2.0mm (± 0.75)02 0.5-2.5 mm (± 1.0)03 0.5-4.0mm (± 1.75)04 0.5-4.5mm (± 2.0)**Key Phase/Speed****Keyway & Speed****Number of keyway**

01 1 key (min)

99 99 key (Max)

Speed

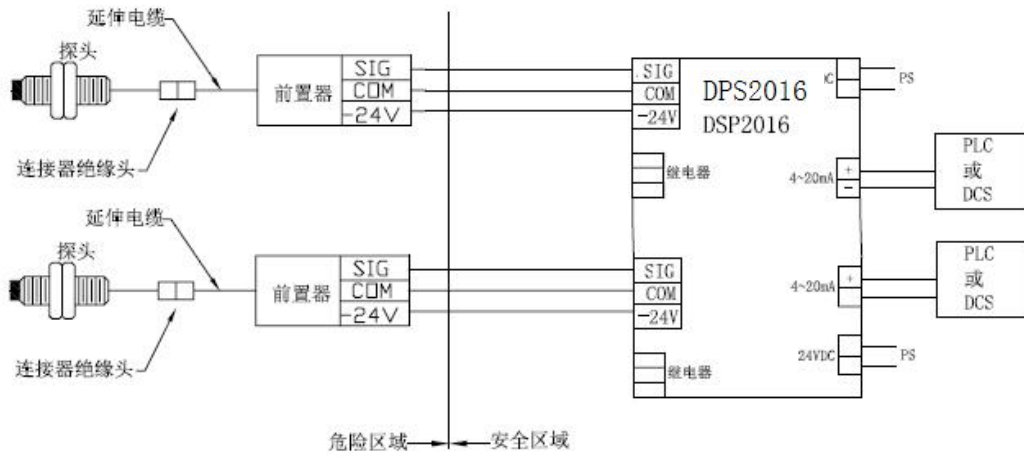
120 120 120rpm (Min)

100000 100000 100000rpm (Max)

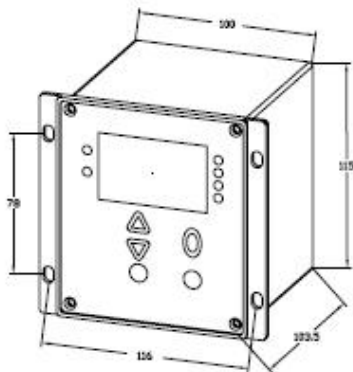
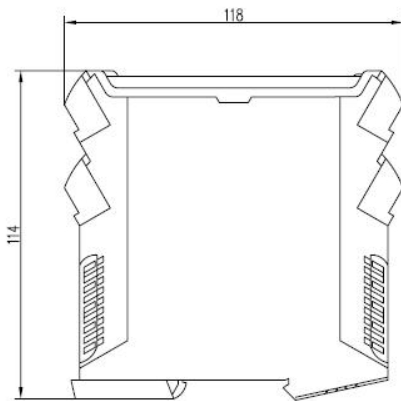
Example: Keyway=2, Speed 0=3500rpm, 02-3500.

Each dual-channel signal monitor has only second channel to do the key phase/speed measurement.

Product Wiring Diagram



Dimension



Unit: mm

BNC Output Cable

10678-XX

XX=Length

05—0.5m

10—1m

15—1.5m

20—2.0m